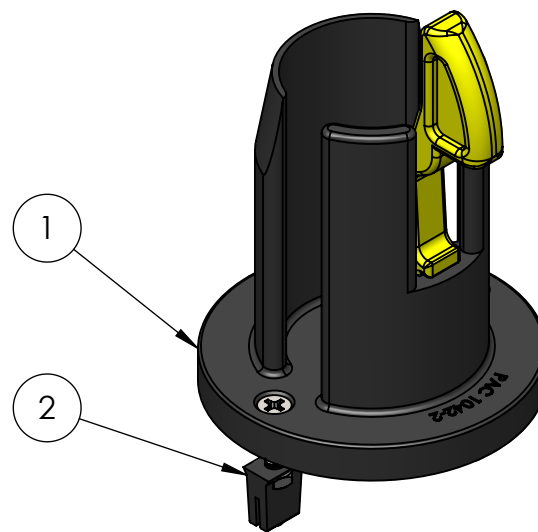
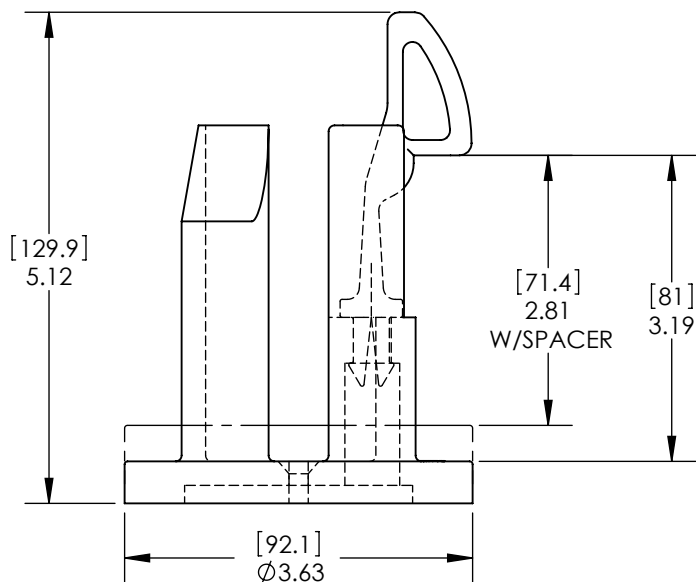
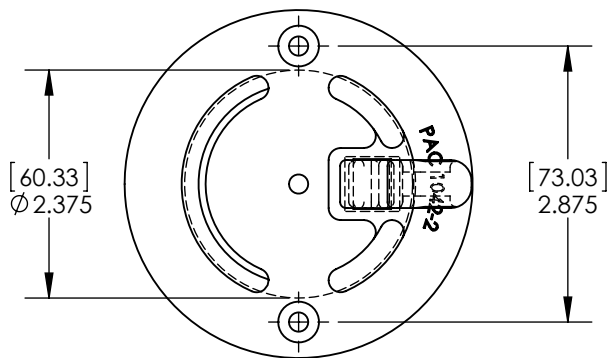


REV	DESCRIPTION	DATE	APPR



ITEM NO.	PAC P/N	PART NAME	QTY
2	7046	FASTENER PACK	1
1	1042-2P	ADAPTER LOK 2-1/2"	1

**NOTES:**

**P**ERFORMANCE  
**A**DVANTAGE  
**C**OMPANY



**TOLERANCES UNLESS OTHERWISE SPECIFIED**

.X = ± .03  
.XX = ± .010  
.XXX = ± .005  
.XXXX = ± 0.0005  
ANGLES ± 0.5 °  
FRACTIONAL ± 1/64

THIRD ANGLE PROJECTION



COLOR BLACK

NAME	DATE
DRAWN BY JIM GONZALEZ	3/9/2010
APPR. BY JIM GONZALEZ	3/9/2010
MFG BY	
MFG. P/N	
ENG APPR.	
MATERIAL	
ALT. MATERIAL	
FINISH	

THE INFORMATION CONTAINED IN THIS DRAWING IS THE SOLE PROPERTY OF PERFORMANCE ADVANTAGE CO. ANY REPRODUCTION IN PART OR AS A WHOLE WITHOUT THE WRITTEN PERMISSION OF PERFORMANCE ADVANTAGE CO. IS PROHIBITED.

**TITLE:**

ADAPTER LOK

**PART NUMBER**

1042-2

REV

SCALE: 1:2

SHEET 1 OF 2