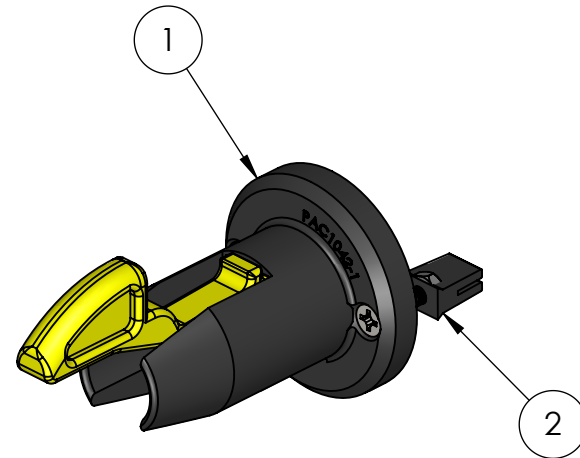
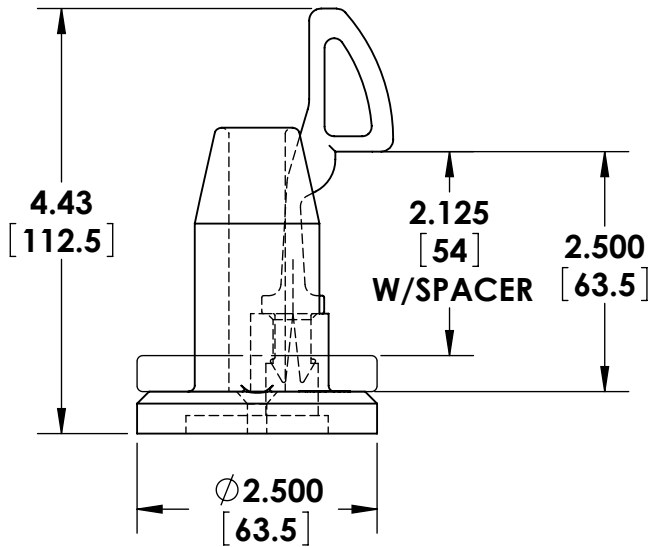
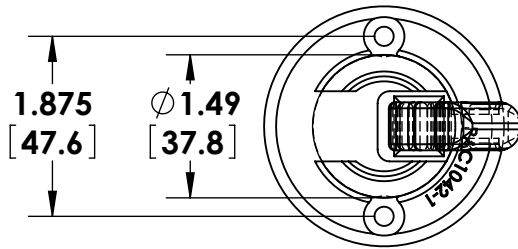


REV	DESCRIPTION	DATE	APPR



2	7046	FASTENER PACK	1
1	1042-1P	ADAPTER LOK 1-1/2"	1
ITEM NO.	PAC P/N	PART NAME	QTY

**NOTES:**

**P**ERFORMANCE  
**A**DVANTAGE  
**C**OMPANY



**TOLERANCES UNLESS OTHERWISE SPECIFIED**

.X= ±.03  
.XX= ±.010  
.XXX= ±.005  
.XXXX= ±0.0005  
ANGLES ±0.5 °  
FRACTIONAL ±1/64

THIRD ANGLE PROJECTION



COLOR

NAME DATE

DRAWN BY JIM GONZALEZ 3/18/2010

APPR. BY

MFG BY

MFG. P/N

ENG APPR.

MATERIAL

ALT. MATERIAL

FINISH

THE INFORMATION CONTAINED IN THIS DRAWING IS THE SOLE PROPERTY OF PERFORMANCE ADVANTAGE CO. ANY REPRODUCTION IN PART OR AS A WHOLE WITHOUT THE WRITTEN PERMISSION OF PERFORMANCE ADVANTAGE CO. IS PROHIBITED.

**TITLE:**

**ADAPTER LOK 1-1/2"**

**PART NUMBER**

**1042-1**

REV

**SCALE: 1:2**

**SHEET 1 OF 2**