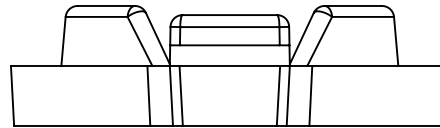
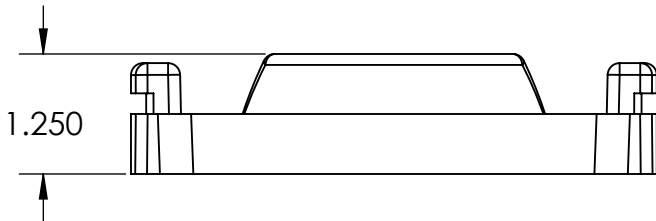
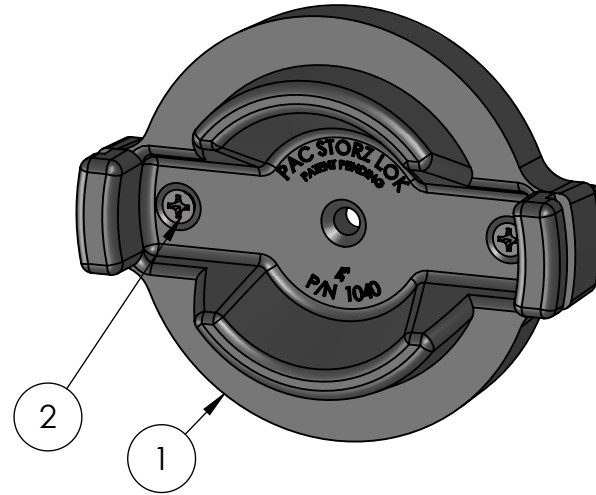
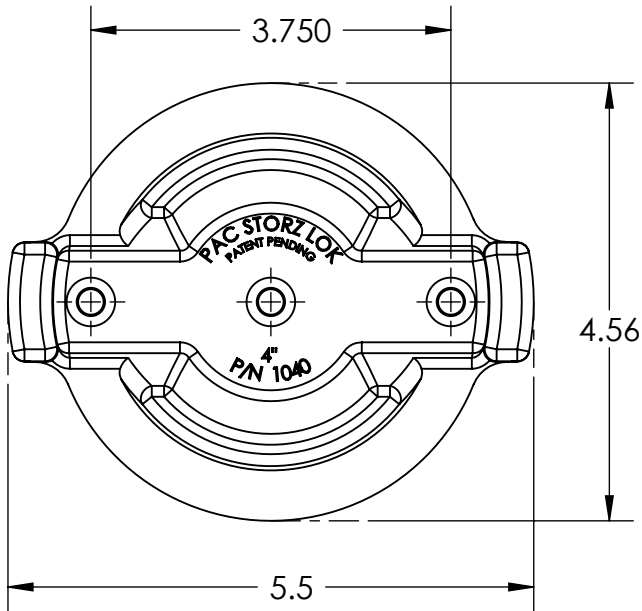


REV	DESCRIPTION	DATE	APPR



2	7031	FASTENER KIT		1
1	1040-4P	STORZ LOK 4"	BLACK	1
ITEM NO.	PAC P/N	PART NAME	COLOR	QTY

**NOTES:**

**P**ERFORMANCE  
**A**DVANTAGE  
**C**OMPANY



**TOLERANCES UNLESS OTHERWISE SPECIFIED**

.X= ± .03  
.XX= ± .010  
.XXX= ± .005  
.XXXX= ± 0.0005  
ANGLES ± 0.5 °  
FRACTIONAL ± 1/64

THIRD ANGLE PROJECTION



COLOR  
BLACK

NAME DATE

DRAWN BY JIM GONZALEZ 8/19/2010

APPR. BY

MFG BY

MFG. P/N

ENG APPR.

MATERIAL

ALT. MATERIAL

FINISH

THE INFORMATION CONTAINED IN THIS DRAWING IS THE SOLE PROPERTY OF PERFORMANCE ADVANTAGE CO. ANY REPRODUCTION IN PART OR AS A WHOLE WITHOUT THE WRITTEN PERMISSION OF PERFORMANCE ADVANTAGE CO. IS PROHIBITED.

**TITLE:**

STORZ LOK 4"

**PART NUMBER**

1040-4P

REV

SCALE: 1:2

SHEET 1 OF 2