



# CUP MOUNT

# P/N 1033

# INSTALLATION INSTRUCTIONS

For additional assistance call 888-514-0083 between 8AM-5PM EST or email: info@pactoolmounts.com

## CAUTION

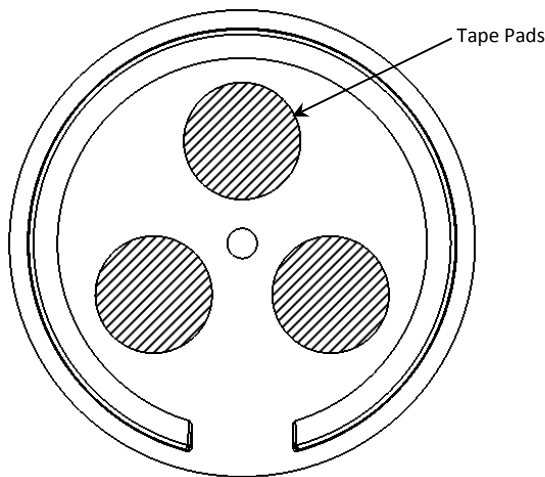
To avoid the risk of personal injury, property damage or product damage, please follow these guidelines:

- \* Mounting surfaces must be flat, uniform and free from obstructions or voids.
- \* Mounting surface must be free of dirt, grime, oils, grease or other contaminants. A final thorough cleaning with 50-70% Isopropyl Alcohol is required.
- \* Cup Mount may be applied to many substrates including aluminum, steel, stainless steel and \*painted surfaces. Cup Mount can be screwed to sprayed on surfaces such as Line-X™
- \* Mounting should be performed when temperature is between 70°F and 100°F (21°C and 38°C)

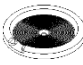
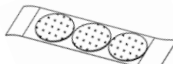
*\* Painted surfaces must be in good condition with no peeling, chalking or flaking. Bond strength may be limited by the bond between the painted surface and substrate*

### STEP 1 – Apply Tape Pads

Peel tape pads from strip and place equally spaced on the bottom of the Cup Mount.

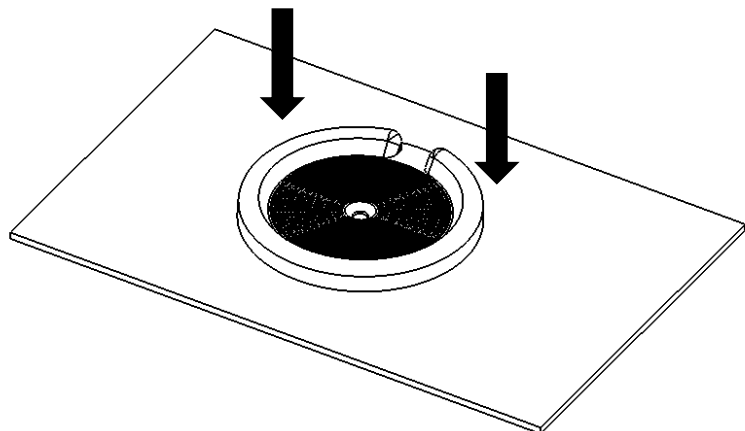


**FIGURE 1**

COMPONENT	QTY
 CUP MOUNT P/N 1033P	1
 1" VHB TAPE PADS P/N 3MRP32	3

### STEP 2 – Attach Cup Mount

Clean the mounting contact areas with 50% isopropyl alcohol/water solution and dry completely. Perform this step in a well ventilated area. Peel the tape backing off and press firmly to adhere.



**FIGURE 2**