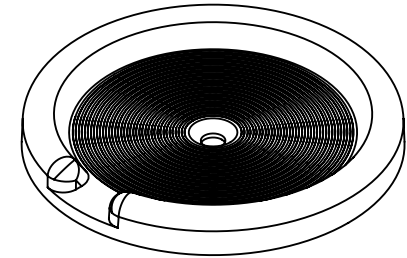
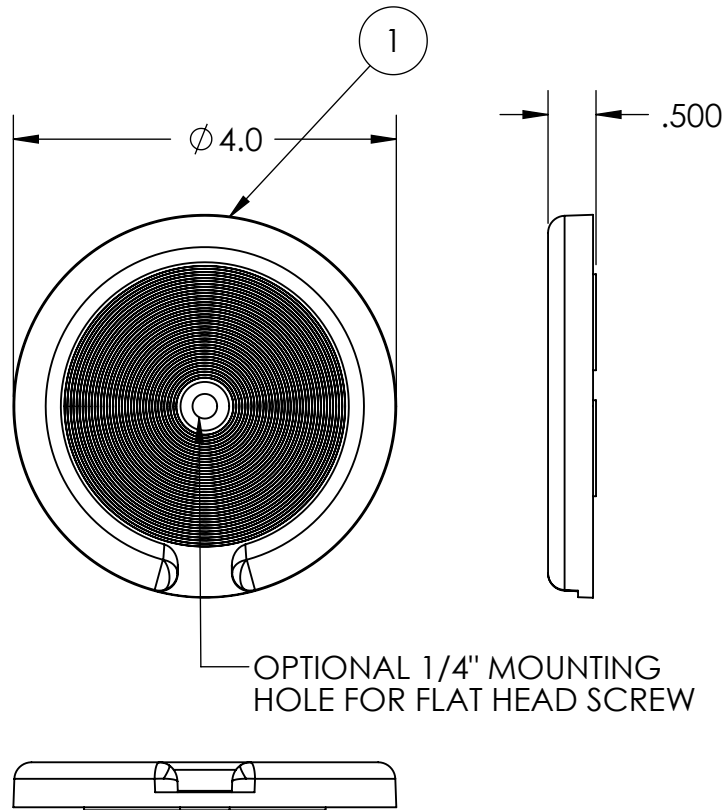


REV	DESCRIPTION	DATE	APPR



2	3MRP32	TAPE FASTENERS		3
1	1033P	CUP MOUNT	BLACK	1
ITEM NO.	PAC P/N	PART NAME	Color	QTY

NOTES:

ADHESIVE TAPE IS ATTACHED BY CUSTOMER

SEE K5033 KIT WHICH INCLUDES (4) CUP MOUNTS

PERFORMANCE
ADVANTAGE
COMPANY



TOLERANCES UNLESS OTHERWISE SPECIFIED

.X= ± .03
.XX= ± .010
.XXX= ± .005
.XXXX= ± 0.0005
ANGLES ± 0.5 °
FRACTIONAL ± 1/64

THIRD ANGLE PROJECTION



COLOR

	NAME	DATE
DRAWN BY		
APPR. BY		
MFG BY		
MFG. P/N		
ENG APPR.		
MATERIAL		
ALT. MATERIAL		
FINISH		

THE INFORMATION CONTAINED IN THIS DRAWING IS THE SOLE PROPERTY OF PERFORMANCE ADVANTAGE CO. ANY REPRODUCTION IN PART OR AS A WHOLE WITHOUT THE WRITTEN PERMISSION OF PERFORMANCE ADVANTAGE CO. IS PROHIBITED.

TITLE:

CUP MOUNT ASSEMBLY

PART NUMBER

1033

REV

SCALE: 1:2

SHEET 1 OF 1