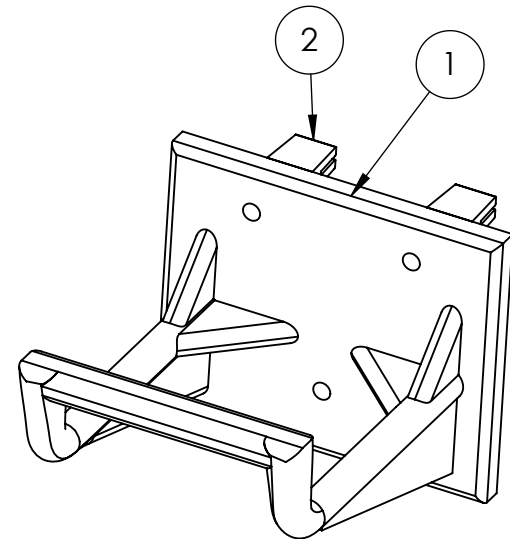
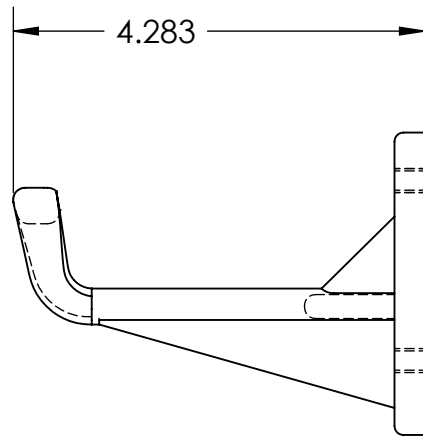
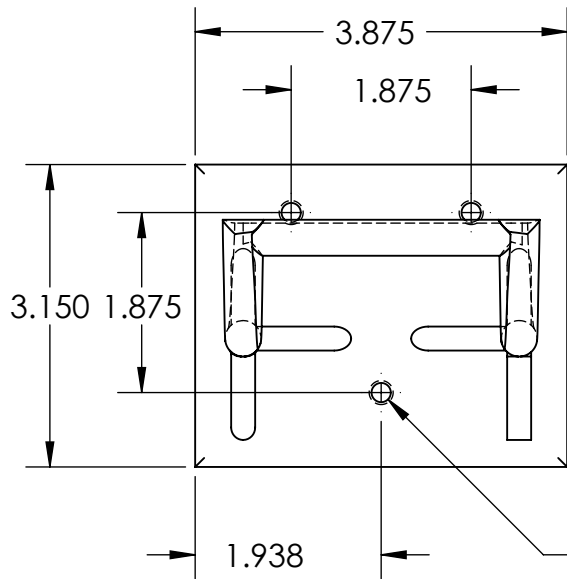


REV	DESCRIPTION	DATE	APPR



3X ϕ .201 ∇ .650
 1/4-20 UNC ∇ .500

2	7025	FASTENER KIT	1
1	1027P	LOOP HOOK	1
ITEM NO.	PAC P/N	PART NAME	QTY

NOTES:

P/N 1027G (GREEN COLOR)

PERFORMANCE
ADVANTAGE
COMPANY



TOLERANCES UNLESS OTHERWISE SPECIFIED

.X= ± .03
 .XX= ± .010
 .XXX= ± .005
 .XXXX= ± 0.0005
 ANGLES ± 0.5 °
 FRACTIONAL ± 1/64

THIRD ANGLE PROJECTION



COLOR

NAME DATE

DRAWN BY

APPR. BY

MFG BY

MFG. P/N

ENG APPR.

MATERIAL

ALT. MATERIAL

FINISH

THE INFORMATION CONTAINED IN THIS DRAWING IS THE SOLE PROPERTY OF PERFORMANCE ADVANTAGE CO. ANY REPRODUCTION IN PART OR AS A WHOLE WITHOUT THE WRITTEN PERMISSION OF PERFORMANCE ADVANTAGE CO. IS PROHIBITED.

TITLE:

LOOP HOOK

PART NUMBER

1027

REV

SCALE: 1:2

SHEET 1 OF 1