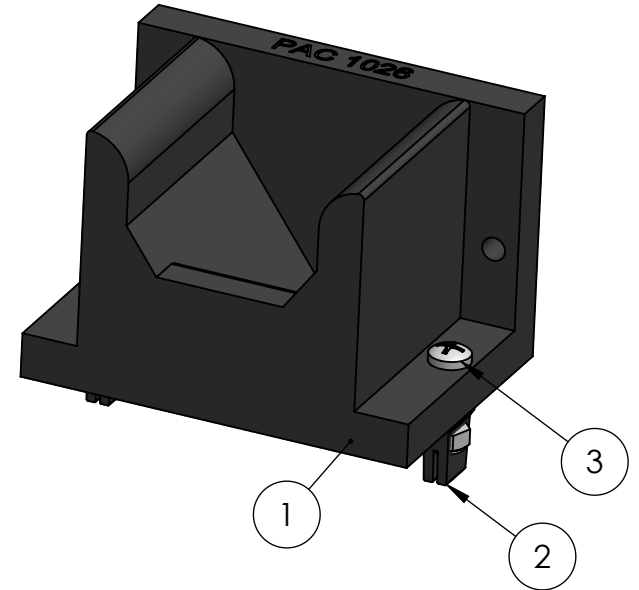
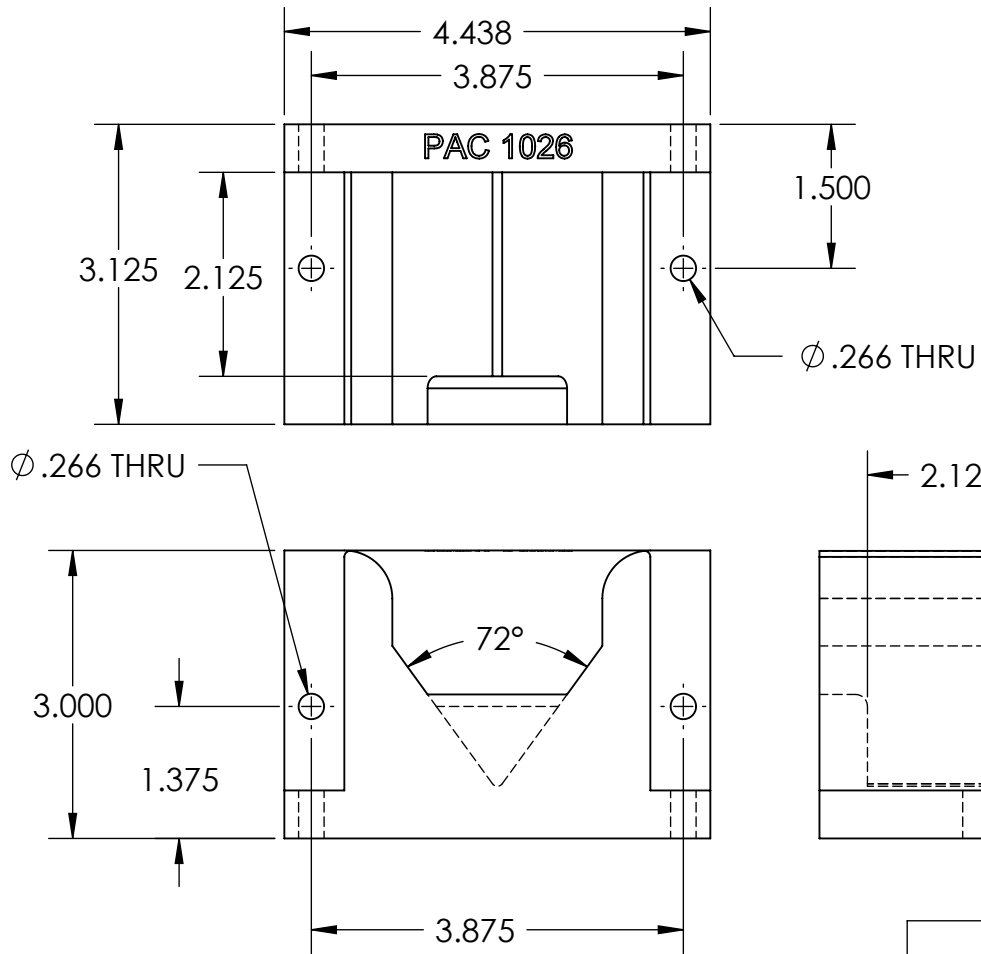


REV	DESCRIPTION	DATE	APPR



3	7048	FASTENER KIT	1
2	7034	FASTENER KIT	1
1	1026P	SPREADER BASE POCKET	1
ITEM NO.	PAC P/N	PART NAME	QTY

**NOTES:**

**P**ERFORMANCE  
**A**DVANTAGE  
**C**OMPANY



**TOLERANCES UNLESS OTHERWISE SPECIFIED**

.X = ±.03  
.XX = ±.010  
.XXX = ±.005  
.XXXX = ±0.0005  
ANGLES ±0.5°  
FRACTIONAL ±1/64

THIRD ANGLE PROJECTION



COLOR

NAME	DATE
DRAWN BY	
APPR. BY	
MFG BY	
MFG. P/N	
ENG APPR.	
MATERIAL	
ALT. MATERIAL	
FINISH	

THE INFORMATION CONTAINED IN THIS DRAWING IS THE SOLE PROPERTY OF PERFORMANCE ADVANTAGE CO. ANY REPRODUCTION IN PART OR AS A WHOLE WITHOUT THE WRITTEN PERMISSION OF PERFORMANCE ADVANTAGE CO. IS PROHIBITED.

**TITLE:**

**SPREADER BASE POCKET**

**PART NUMBER**

**1026**

REV

**SCALE: 1:2**

**SHEET 1 OF 1**