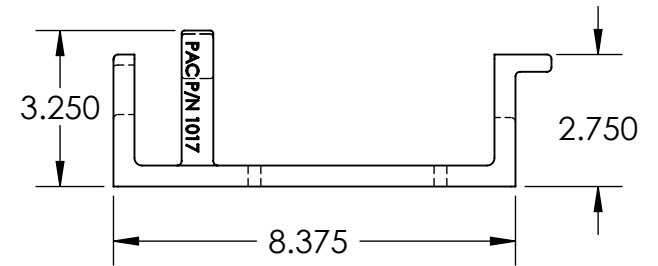
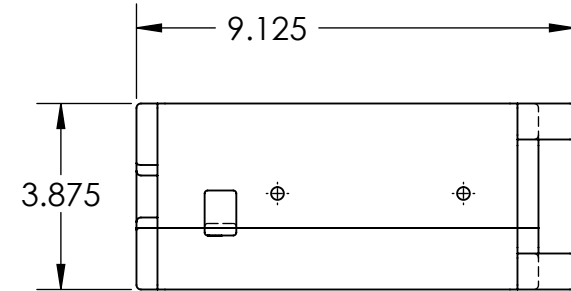
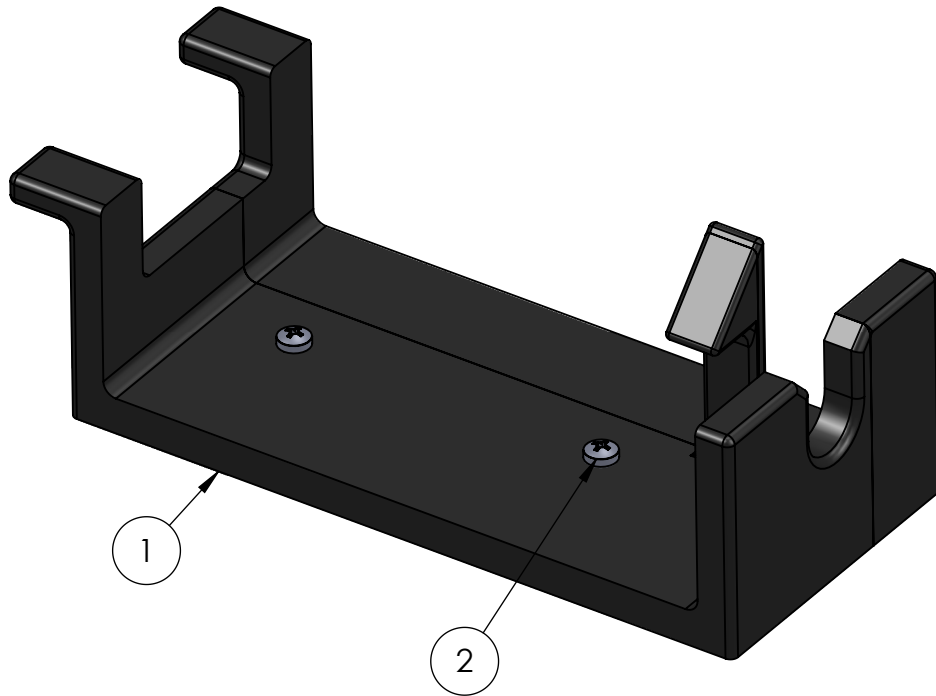


REV	DESCRIPTION	DATE	APPR



2	7028	FASTENER KIT	1
1	1017P	HYDRANT WRENCH MOUNT	1
ITEM NO.	PAC P/N	PART NAME	QTY

NOTES:

PERFORMANCE
ADVANTAGE
COMPANY



TOLERANCES UNLESS OTHERWISE SPECIFIED

.X= ± .03
.XX= ± .010
.XXX= ± .005
.XXXX= ± 0.0005
ANGLES ± 0.5 °
FRACTIONAL ± 1/64

THIRD ANGLE PROJECTION



COLOR

NAME	DATE
DRAWN BY	JPG
APPR. BY	PAC
MFG BY	
MFG. P/N	
ENG APPR.	
MATERIAL	
ALT. MATERIAL	
FINISH	

THE INFORMATION CONTAINED IN THIS DRAWING IS THE SOLE PROPERTY OF PERFORMANCE ADVANTAGE CO. ANY REPRODUCTION IN PART OR AS A WHOLE WITHOUT THE WRITTEN PERMISSION OF PERFORMANCE ADVANTAGE CO. IS PROHIBITED.

TITLE:

HYDRANT WRENCH MOUNT

PART NUMBER

1017P

REV

SCALE: 1:2

SHEET 1 OF 2