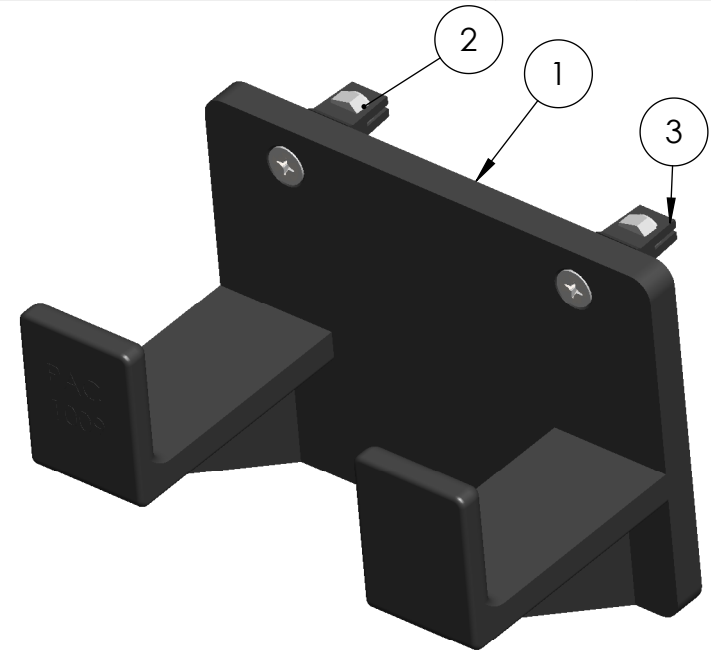
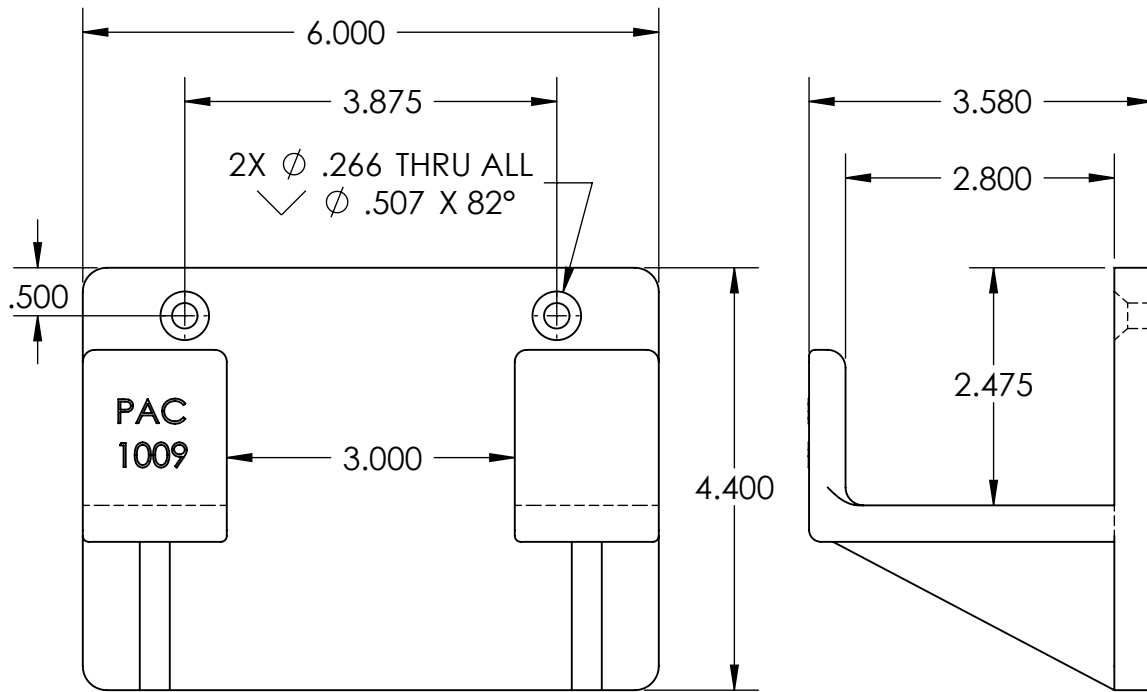


| REV | DESCRIPTION | DATE | APPR |
|-----|-------------|------|------|
| | | | |



| 3 | 7021 | FASTENER KIT | 1 |
|----------|---------|---------------------|-----|
| 2 | 2032 | FASTENER KIT | 1 |
| 1 | 1009P | TOOL HANGER BRACKET | 1 |
| ITEM NO. | PAC P/N | PART NAME | QTY |

NOTES:

PERFORMANCE
ADVANTAGE
COMPANY



TOLERANCES UNLESS OTHERWISE SPECIFIED

.X= ± .03
.XX= ± .010
.XXX= ± .005
.XXXX= ± 0.0005
ANGLES ± 0.5 °
FRACTIONAL ± 1/64

THIRD ANGLE PROJECTION



COLOR

NAME DATE

DRAWN BY

APPR. BY

MFG BY

MFG. P/N

ENG APPR.

MATERIAL

ALT. MATERIAL

FINISH

THE INFORMATION CONTAINED IN THIS DRAWING IS THE SOLE PROPERTY OF **PERFORMANCE ADVANTAGE CO.** ANY REPRODUCTION IN PART OR AS A WHOLE WITHOUT THE WRITTEN PERMISSION OF PERFORMANCE ADVANTAGE CO. IS PROHIBITED.

TITLE:

TOOL HANGER BRACKET

PART NUMBER

1009P

REV

SCALE: 1:2

SHEET 1 OF 2