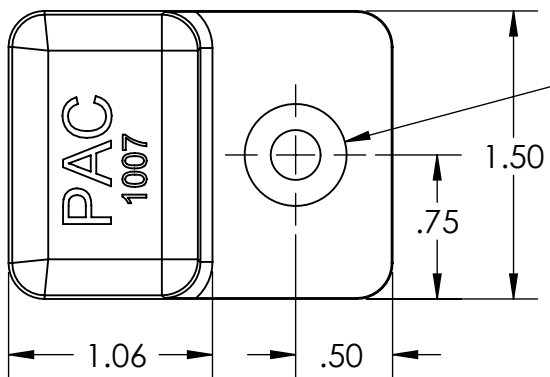
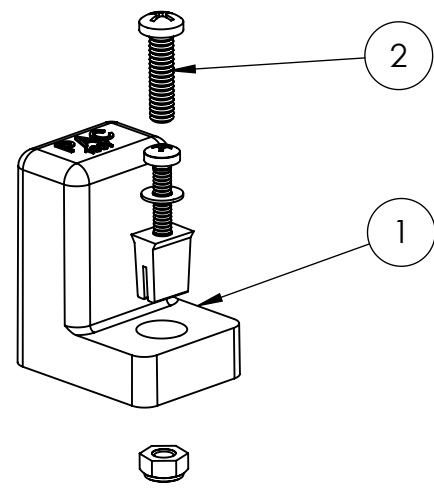
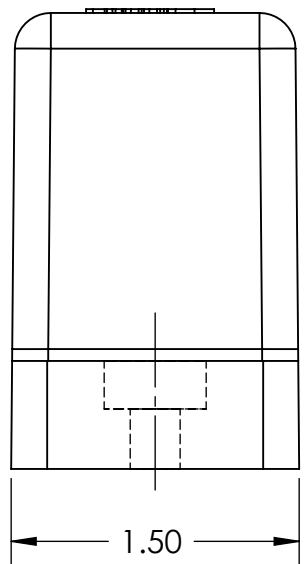
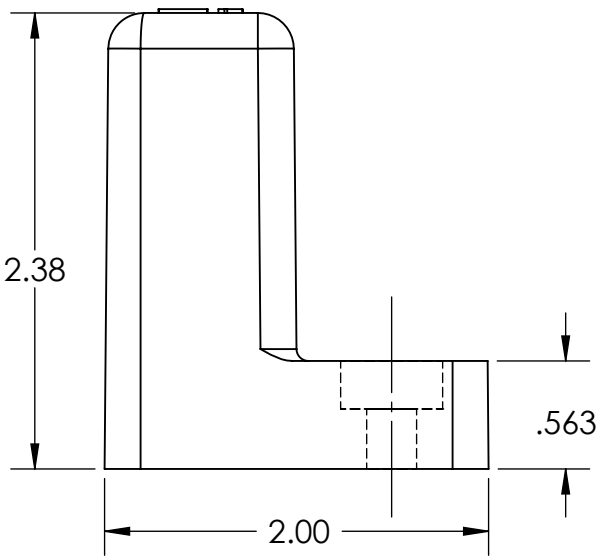


REV	DESCRIPTION	DATE	APPR



ϕ .260 THRU ALL
 \square ϕ .531 ∇ .250



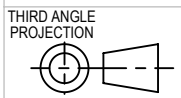
2	7051	FASTENER PAK UNIVERSAL MOUNT	1
1	1007P	UNIVERSAL MOUNT PART	1
ITEM NO.	PAC P/N	PART NAME	QTY

NOTES:

PERFORMANCE
ADVANTAGE
COMPANY



TOLERANCES UNLESS OTHERWISE SPECIFIED
 .X= ± .03
 .XX= ± .010
 .XXX= ± .005
 .XXXX= ± 0.0005
 ANGLES ± 0.5 °
 FRACTIONAL ± 1/64



COLOR

	NAME	DATE
DRAWN BY		
APPR. BY		
MFG BY		
MFG. P/N		
ENG APPR.		
MATERIAL		
ALT. MATERIAL		
FINISH		

THE INFORMATION CONTAINED IN THIS DRAWING IS THE SOLE PROPERTY OF PERFORMANCE ADVANTAGE CO. ANY REPRODUCTION IN PART OR AS A WHOLE WITHOUT THE WRITTEN PERMISSION OF PERFORMANCE ADVANTAGE CO. IS PROHIBITED.

TITLE:
UNIVERSAL MOUNT

PART NUMBER
1007

SCALE: 1:1 **SHEET 1 OF 1**