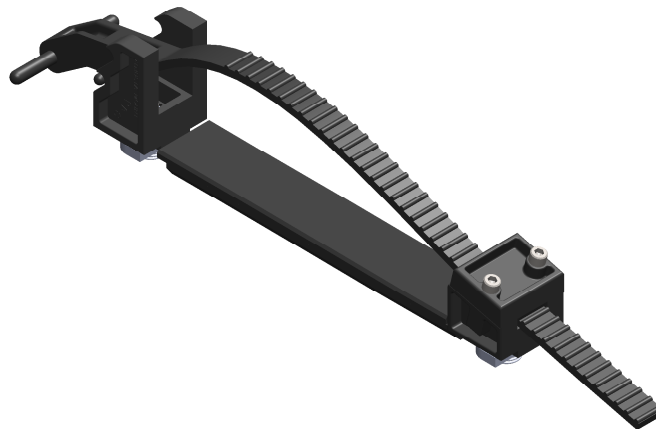
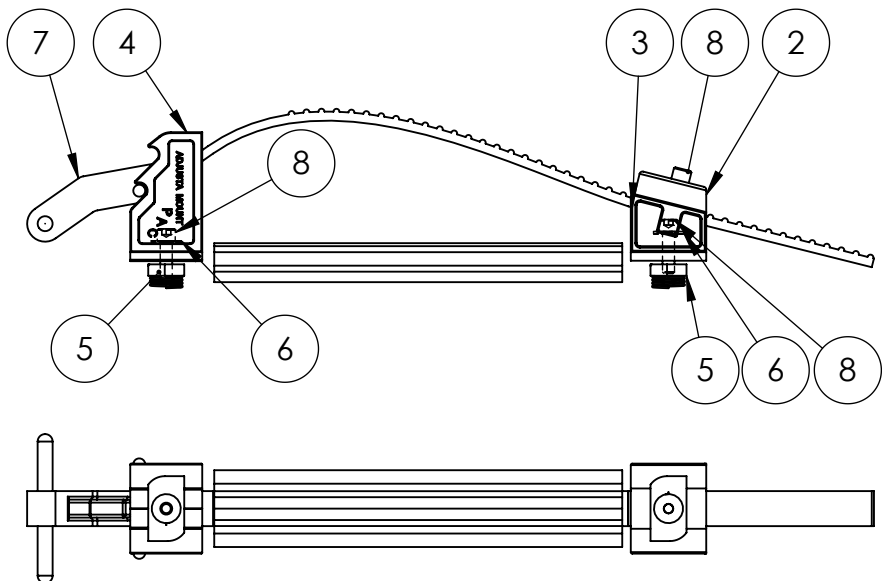


REV	DESCRIPTION	DATE	APPR



8	2002	1/4-20 X 7/8 S.H.C.S.				STAINLESS STEEL	4
7	2008	LOCK STRAP	BLACK			ELASTOMER	1
6	2011	1/4" FLAT WASHER				STAINLESS STEEL	2
5	2010	CHANNEL NUT 1/4-20		UNI-STRUT	P4000-1420		2
4	2005	LOCK END MODULE	BLACK			GLASS FILLED NYLON	1
3	2004	CLAMP END MODULE	BLACK			GLASS FILLED NYLON	1
2	2003	CLAMP TOP MODULE	BLACK			GLASS FILLED NYLON	1
1	1006-3	CHANNEL CUSHION	BLACK				1
ITEM NO.	PAC P/N	PART NAME	COLOR	MFG. BY	MFG P/N	MATERIAL	QTY

**NOTES:**

UNI-STRUT NOT INCLUDED

ALSO AVAILABLE WITH  
YELLOW STRAP P/N 1006 Y  
ORANGE STRAP P/N 1006 OR

**P**ERFORMANCE  
**A**DVANTAGE  
**C**OMPANY



**TOLERANCES UNLESS OTHERWISE SPECIFIED**

.X = ± .03  
.XX = ± .010  
.XXX = ± .005  
.XXXX = ± 0.0005  
ANGLES ± 0.5 °  
FRACTIONAL ± 1/64

THIRD ANGLE PROJECTION



COLOR  
BLACK

	NAME	DATE
DRAWN BY	JIM GONZALEZ	3/5/2010
APPR. BY	JIM GONZALEZ	3/5/2010
MFG BY		
MFG. P/N		
ENG APPR.		
MATERIAL		
ALT. MATERIAL		
FINISH		

THE INFORMATION CONTAINED IN THIS DRAWING IS THE SOLE PROPERTY OF PERFORMANCE ADVANTAGE CO. ANY REPRODUCTION IN PART OR AS A WHOLE WITHOUT THE WRITTEN PERMISSION OF PERFORMANCE ADVANTAGE CO. IS PROHIBITED.

**TITLE:**

ADJUSTAMOUNT

**PART NUMBER**  
1006

SCALE: 1:4

SHEET 1 OF 2