



ADJUSTAMOUNTS

INSTALLATION INSTRUCTIONS

P/N 1006 P/N 1006PT P/N 1006DPT
P/N 1008 P/N 1008PT P/N 1008DPT
P/N K5006 P/N K5006PT P/N K5008 P/N K5008PT

For additional assistance call (888)-514-0083 between 8AM-5PM EST or email: info@pactoolmounts.com

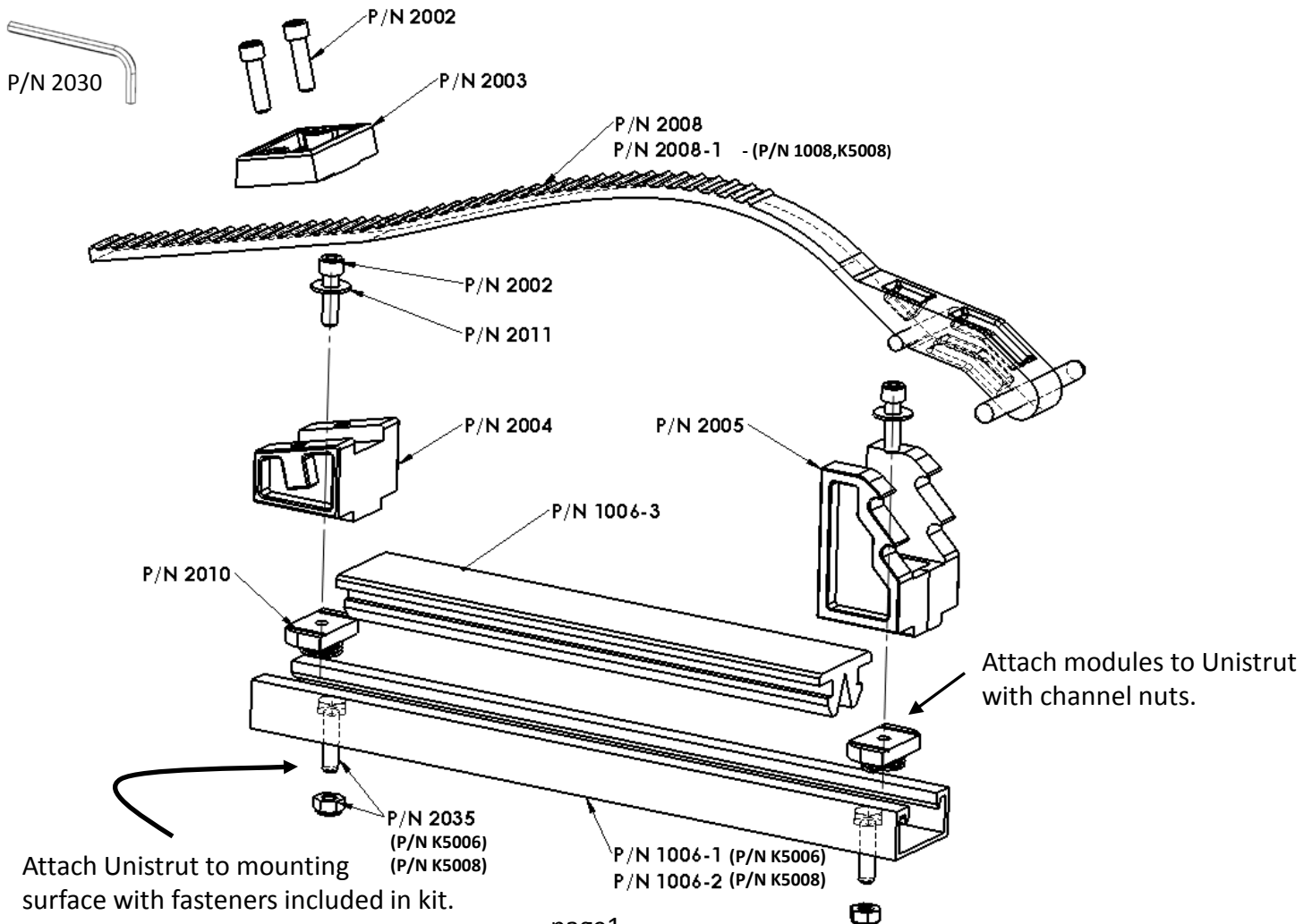
CAUTION

To avoid the risk of personal injury, property damage or product damage, please use the included fasteners for mounting.

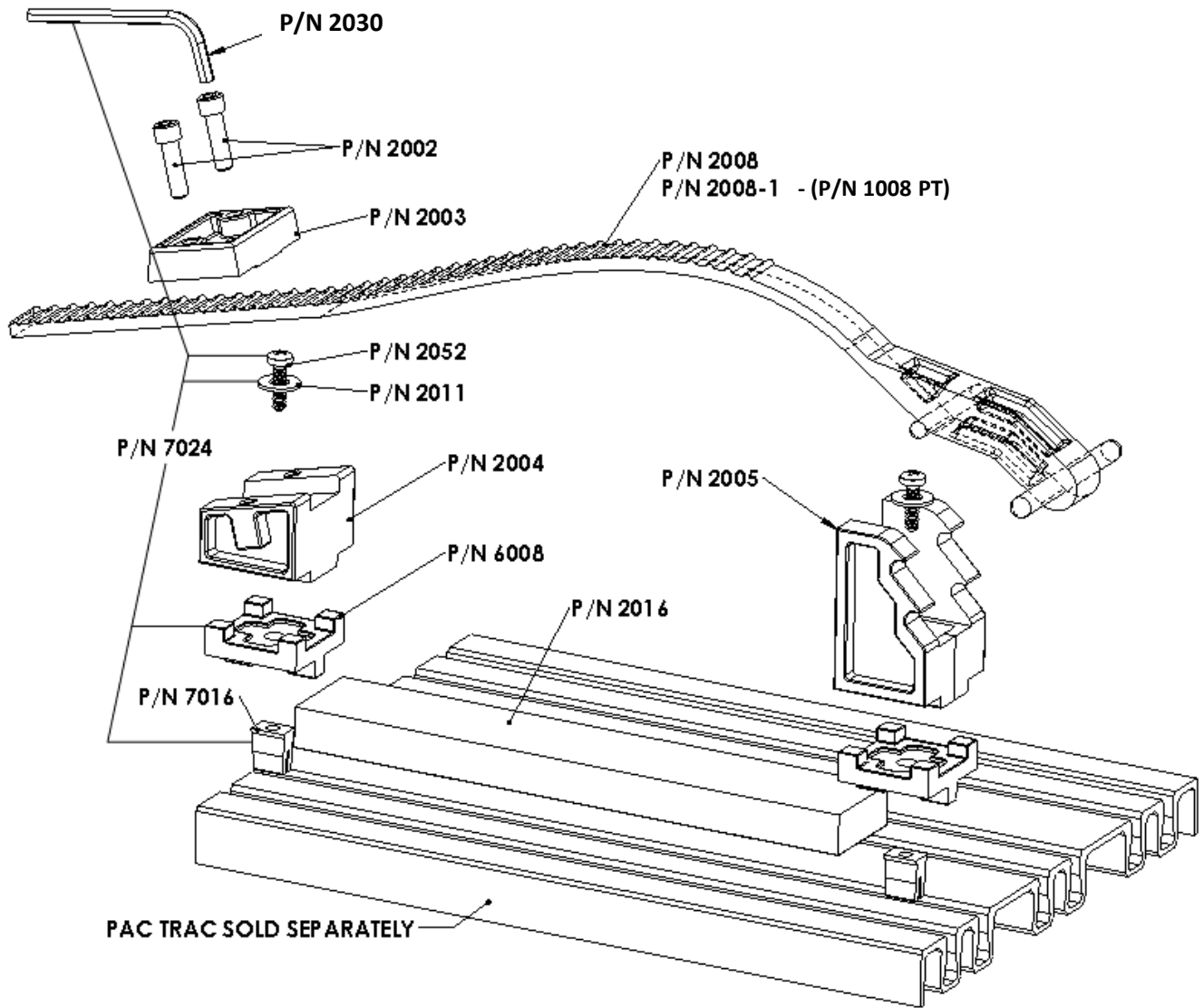
- * This product must be securely mounted to a stable surface and material.
- * Misuse of this product may result damage or injury and void warranty.
- * Verify that all fasteners have been tightened securely before putting into service.

P/N 1006, 1008 ADJUSTAMOUNTS & P/N K5006, K5008 ADJUSTAMOUNT KITS

Adjustamount brackets are intended to mount to standard 1-5/8" wide UNISTRUT® channel (not included). **Adjustamount Kits** include a 12" or 24" long section of UNISTRUT® channel.

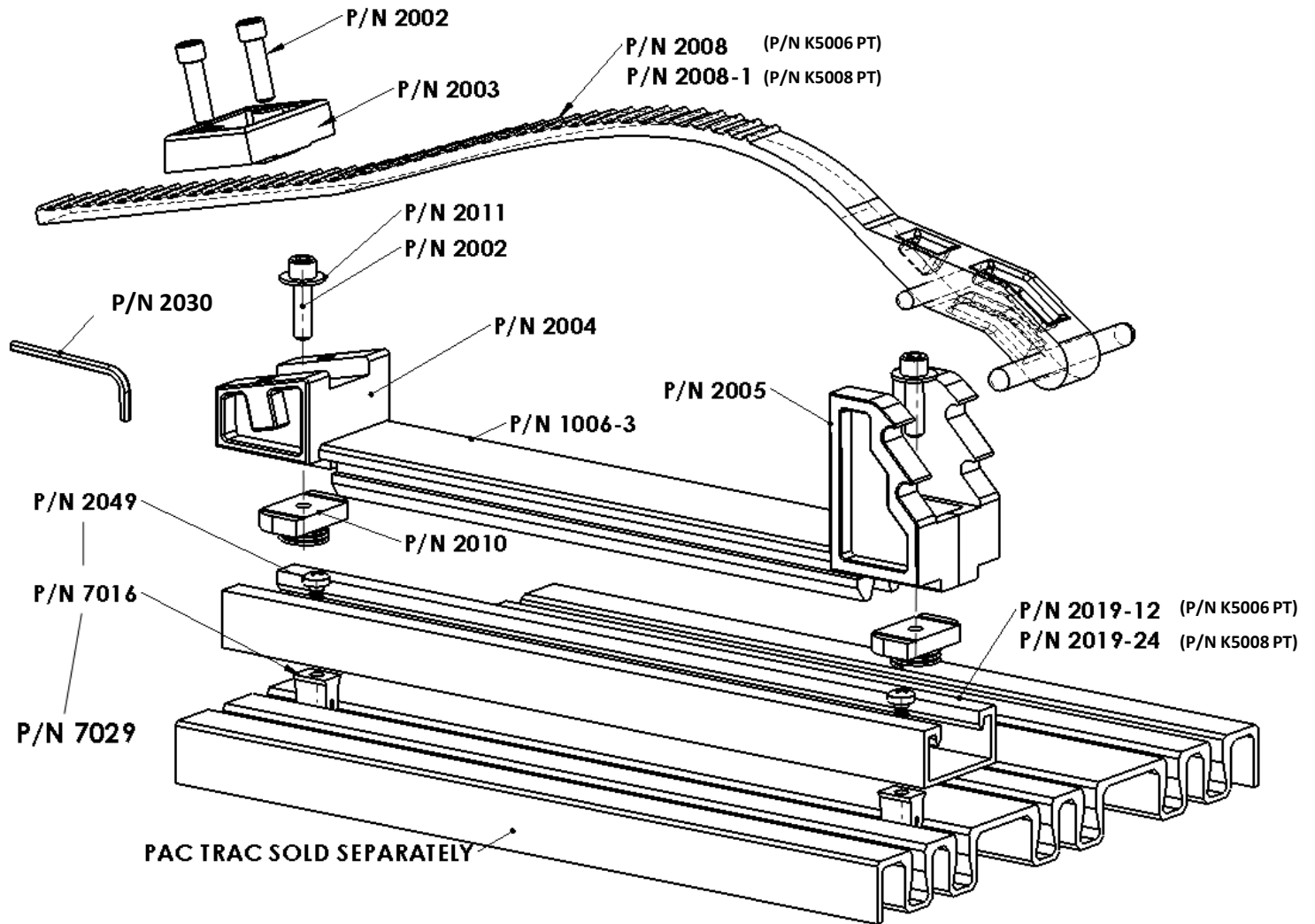


Adjustamount (PT) brackets are intended to mount to PAC TRAC aluminum extrusion (sold separately)



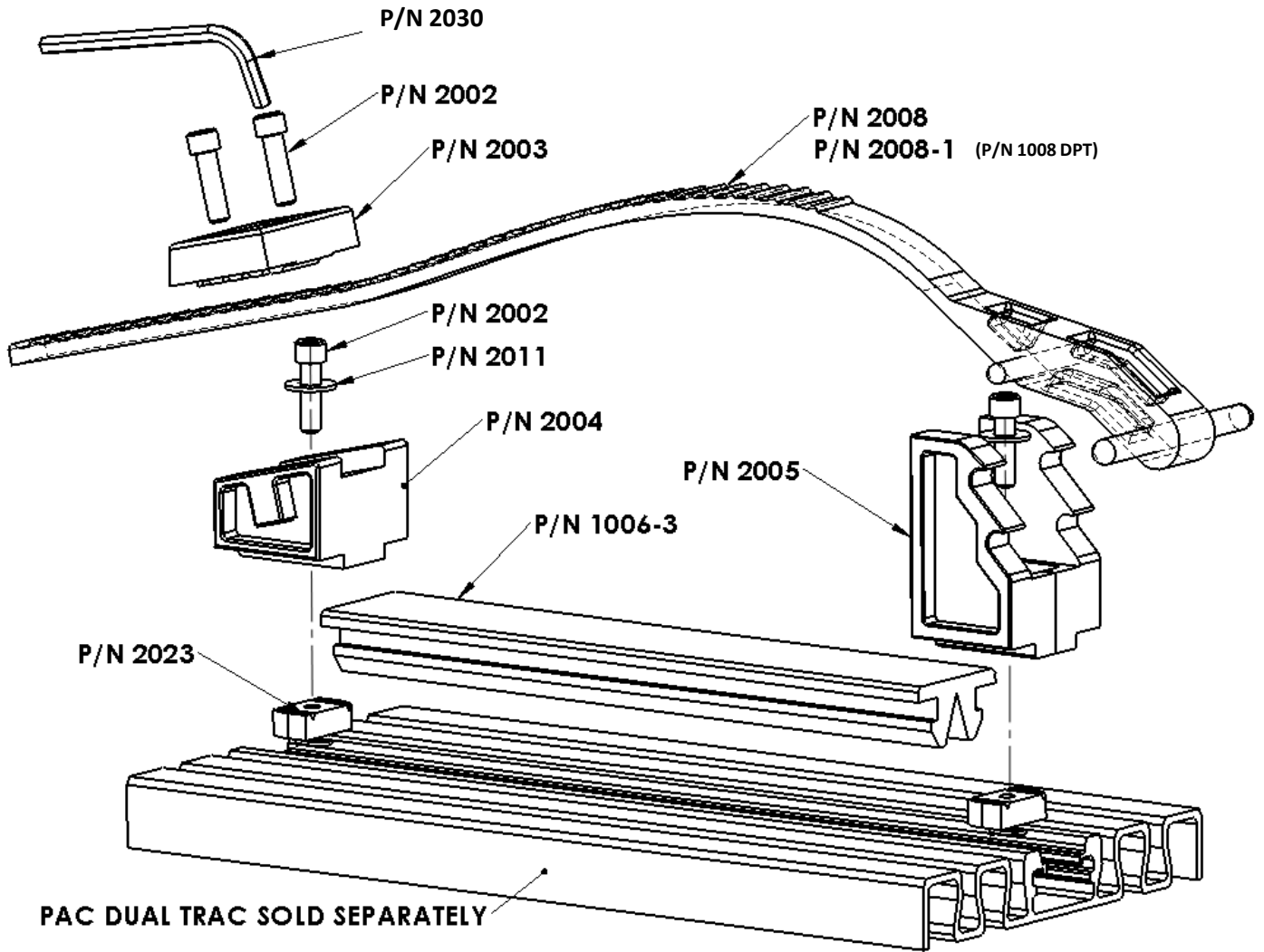
Place Trac Lok inserts **P/N 7016** into channel on **PAC TRAC** in desired location and attach modules with screws. Tighten to a maximum 15 in-lbs

Adjustamount Kit (PT) brackets are intended to mount to PAC TRAC aluminum extrusion (sold separately)



Place Trac Lok inserts **P/N 7016** into channel on **PAC TRAC** in desired location and attach Unistrut with screws. Tighten to a maximum 15 in-lbs

Adjustamount (DPT) brackets are intended to mount to PAC DUAL TRAC aluminum extrusion (sold separately)



Attach modules to Unistrut with **P/N 2023** channel nuts.