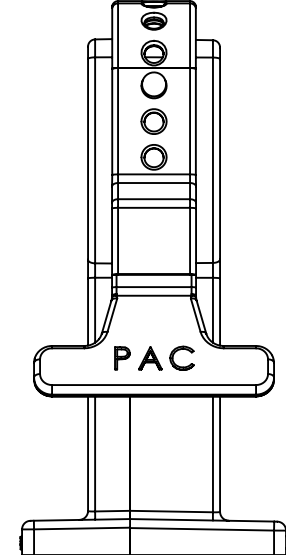
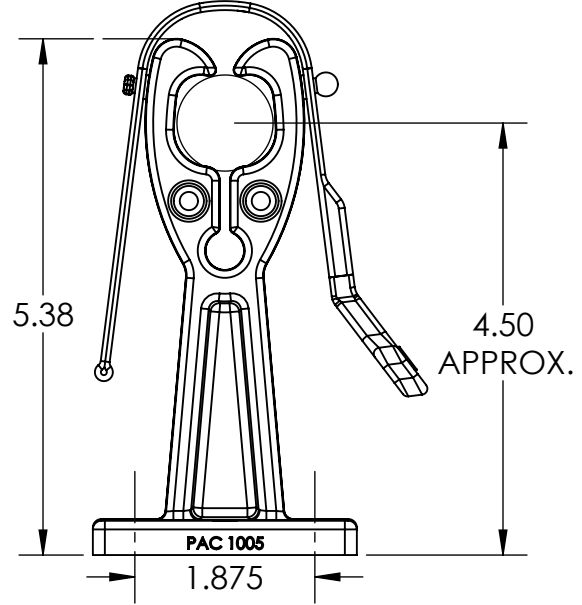
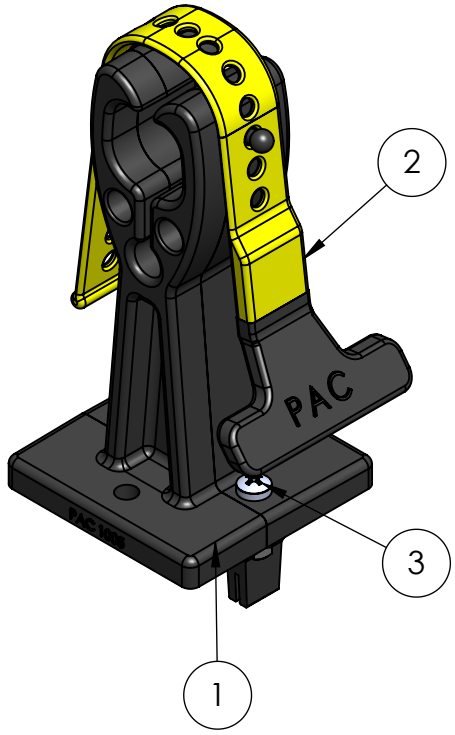
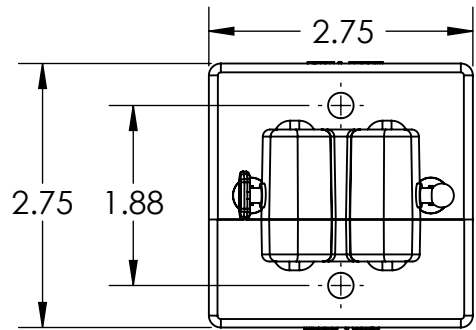


REV	DESCRIPTION	DATE	APPR



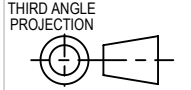
3	7028	FASTENER KIT	1	
2	4016	UNIVERSAL STRAP	1	
1	1005P	STOW-N-LOK BASE BRACKET	1	
ITEM NO.	PAC P/N	PART NAME	Color	QTY

NOTES:

PERFORMANCE
ADVANTAGE
COMPANY



TOLERANCES UNLESS OTHERWISE SPECIFIED
.X= ±.03
.XX= ±.010
.XXX= ±.005
.XXXX= ±0.0005
ANGLES ±0.5 °
FRACTIONAL ±1/64



COLOR

NAME	DATE
DRAWN BY	
APPR. BY	
MFG BY	
MFG. P/N	
ENG APPR.	
MATERIAL	
ALT. MATERIAL	
FINISH	

THE INFORMATION CONTAINED IN THIS DRAWING IS THE SOLE PROPERTY OF **PERFORMANCE ADVANTAGE CO.** ANY REPRODUCTION IN PART OR AS A WHOLE WITHOUT THE WRITTEN PERMISSION OF PERFORMANCE ADVANTAGE CO. IS PROHIBITED.

TITLE:
STOW-N-LOK BRACKET

PART NUMBER
1005

SCALE: 1:2 **SHEET 1 OF 2**