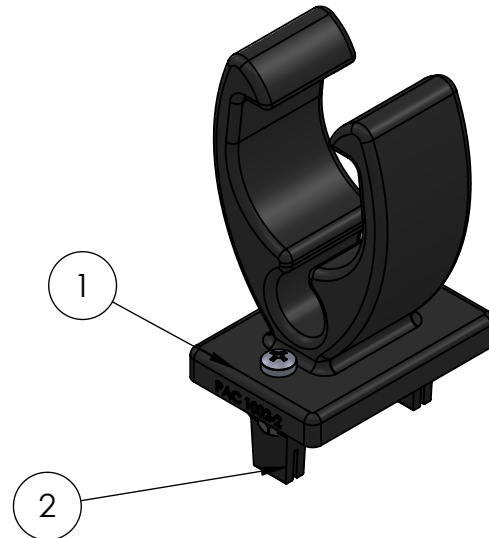
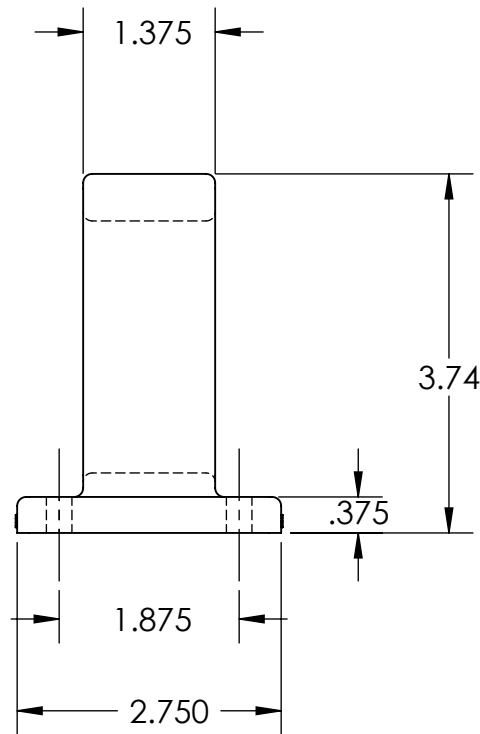
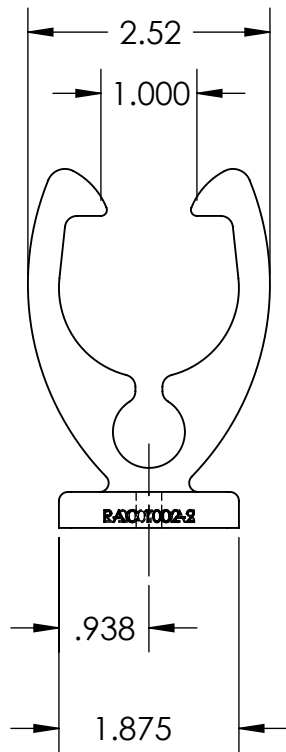


REV	DESCRIPTION	DATE	APPR
A	UPDATED MTG. HOLES FOR 1/4" SCREW	5-17-12	



2	7028	FASTENER KIT	1
1	1002-2P	FLEXMOUNT - SHORT	1
ITEM NO.	PAC P/N	PART NAME	QTY

**NOTES:**

...

**P**ERFORMANCE  
**A**DVANTAGE  
**C**OMPANY



**TOLERANCES UNLESS OTHERWISE SPECIFIED**

.X= ±.03  
.XX= ±.010  
.XXX= ±.005  
.XXXX= ±0.0005  
ANGLES ±0.5 °  
FRACTIONAL ±1/64

THIRD ANGLE PROJECTION



COLOR  
BLACK

	NAME	DATE
DRAWN BY	JIM GONZALEZ	2/2/10
APPR. BY		
MFG BY		
MFG. P/N		
ENG APPR.		
MATERIAL		
ALT. MATERIAL		
FINISH		

THE INFORMATION CONTAINED IN THIS DRAWING IS THE SOLE PROPERTY OF PERFORMANCE ADVANTAGE CO. ANY REPRODUCTION IN PART OR AS A WHOLE WITHOUT THE WRITTEN PERMISSION OF PERFORMANCE ADVANTAGE CO. IS PROHIBITED.

**TITLE:**

**FLEXMOUNT - SHORT**

**PART NUMBER**  
**1002-2**

REV  
**A**

**SCALE: 1:2**

**SHEET 1 OF 1**