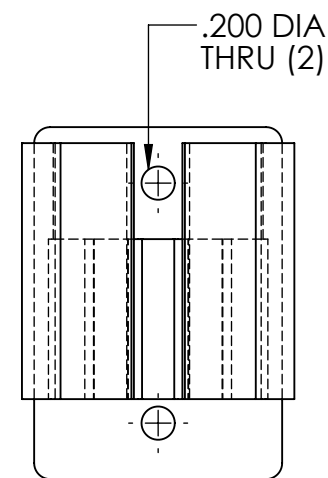
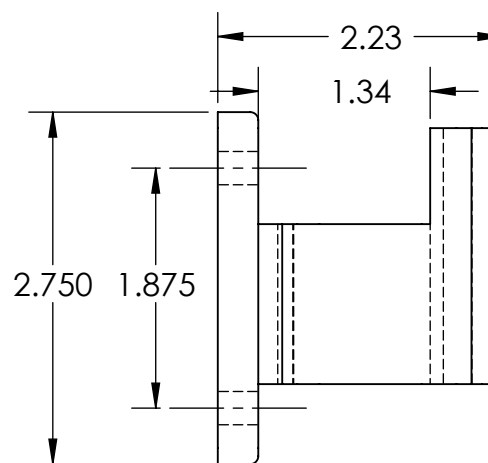
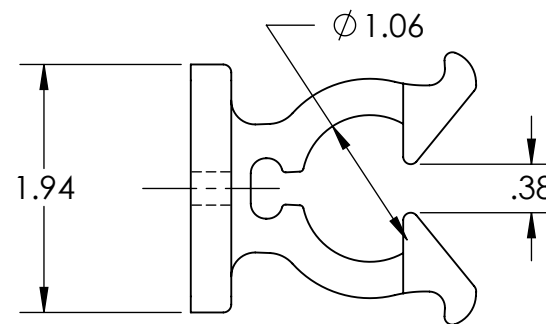
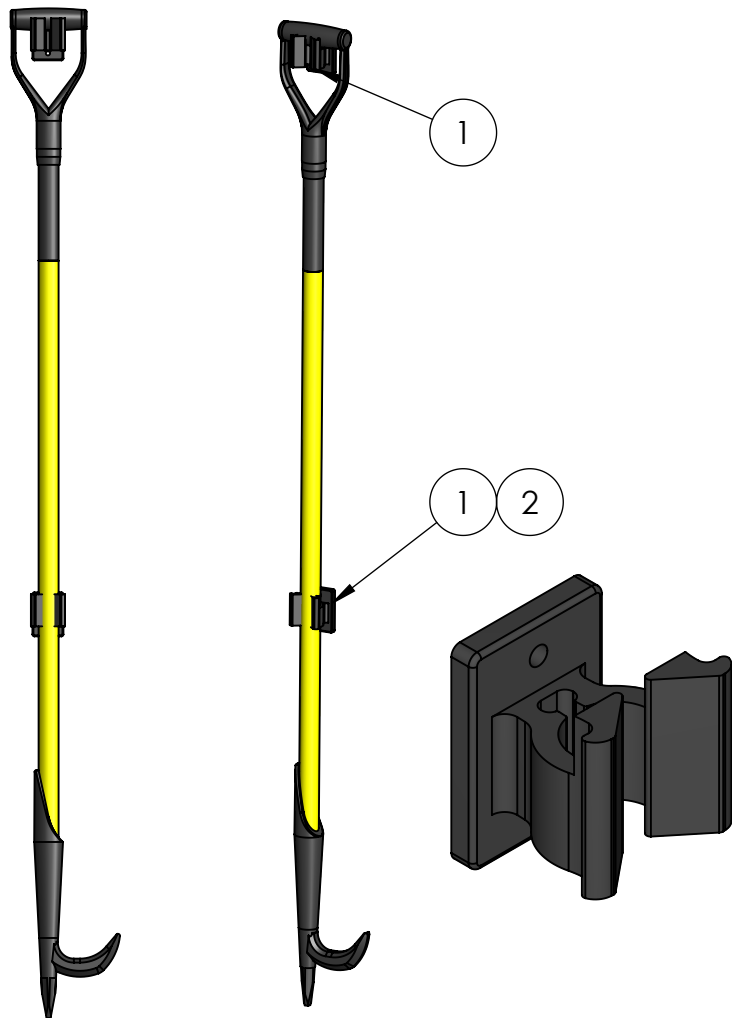


REV	DESCRIPTION	DATE	APPR



2	7030	FASTENER KIT	1
1	1001P	HOKKLOK	2
ITEM NO.	PAC P/N	PART NAME	QTY

NOTES:

SOLD IN PAIRS

FASTENERS FOR MOUNTING TO
PAC TRAC OR THRU MOUNTING

GRIP RANGE: 1" - 1-1/4"

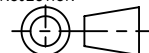
**PERFORMANCE
ADVANTAGE
COMPANY**



TOLERANCES UNLESS OTHERWISE SPECIFIED

.X= ± .03
.XX= ± .010
.XXX= ± .005
.XXXX= ± 0.0005
ANGLES ± 0.5 °
FRACTIONAL ± 1/64

THIRD ANGLE PROJECTION



COLOR

	NAME	DATE
DRAWN BY		
APPR. BY		
MFG BY		
MFG. P/N		
ENG APPR.		
MATERIAL	HYTREL	
ALT. MATERIAL		
FINISH		

THE INFORMATION CONTAINED IN THIS DRAWING IS THE SOLE PROPERTY OF PERFORMANCE ADVANTAGE CO. ANY REPRODUCTION IN PART OR AS A WHOLE WITHOUT THE WRITTEN PERMISSION OF PERFORMANCE ADVANTAGE CO. IS PROHIBITED.

TITLE:

HOKKLOKS

PART NUMBER	REV
1001	

SCALE: 1:12

SHEET 1 OF 1